

Nxtwall Installation Instruction

Installation Scenario:

Flex Series with Non-Full Height Swing Door

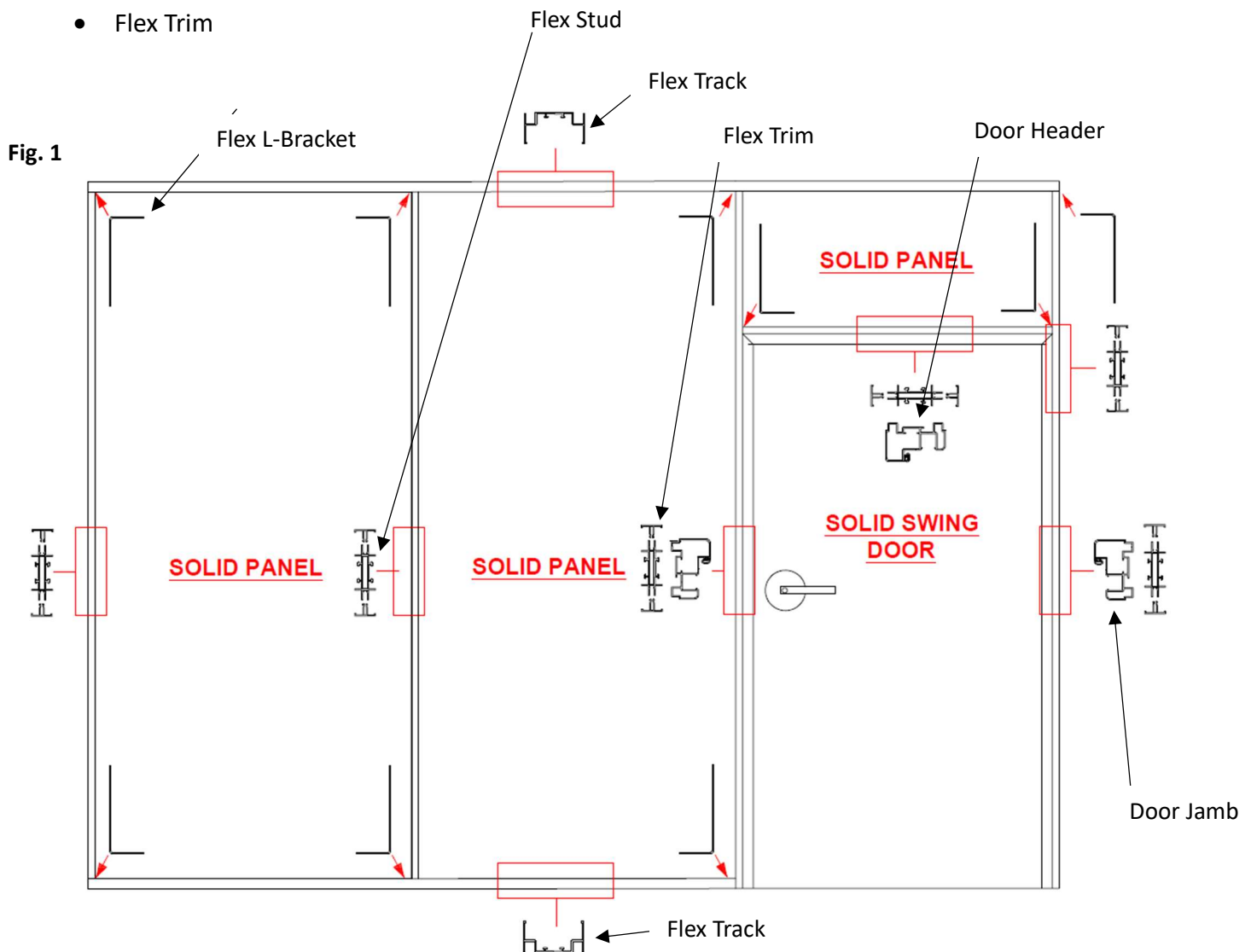
- This guide covers how to frame for this scenario only, does not include panel or door installation.

Nxtwall Components Covered by this Instruction:

- Flex Track
- Flex Stud
- Flex L-Brackets
- Door Jambs and Header
- Solid Panels
- Flex Trim

Recommended Installation Tools:

- Miter Saw
- Laser Level (or Level)
- Tape Measure
- Impact Driver and/or Drill
- Nylon Mallet/Rubber Mallet
- Phillips Screwdriver
- Utility Knife
- Hammer Drill
- External Attaching Hardware
 - Note: Nxtwall does not include external attaching hardware.



Nxtwall Installation Instruction

General Notes for Installation:

1. Read through all instructions to fully understand the Nxtwall Installation process.
2. Note the names of the framing components listed for this installation scenario.
3. Layout the location of the partitions. Mark the floor, ceiling, and existing walls. Use the overall dimensions on the drawing as a reference.
 - a. Note: Nxtwall is a field fit system, if needed the dimensions can be slightly changed on site.

Installation Procedure:

1. Measure and Cut the Flex Track attaching to the ceiling.
 - a. Note: Measurement will be dependent on the situation. Measurement will be existing wall to existing wall, existing wall to Flex Post, or Flex Post to Flex Post.
2. Slide Flex L-Bracket(s) into the Flex Track. Fig. 2.
 - a. Note: Install one Flex L-Bracket per vertical Flex Stud.
3. Attach Flex Track to the ceiling. Fig. 3.
 - a. Install attaching screws every 4'- 6'.

Fig. 2

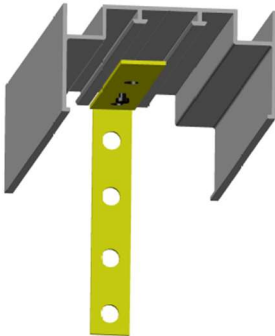
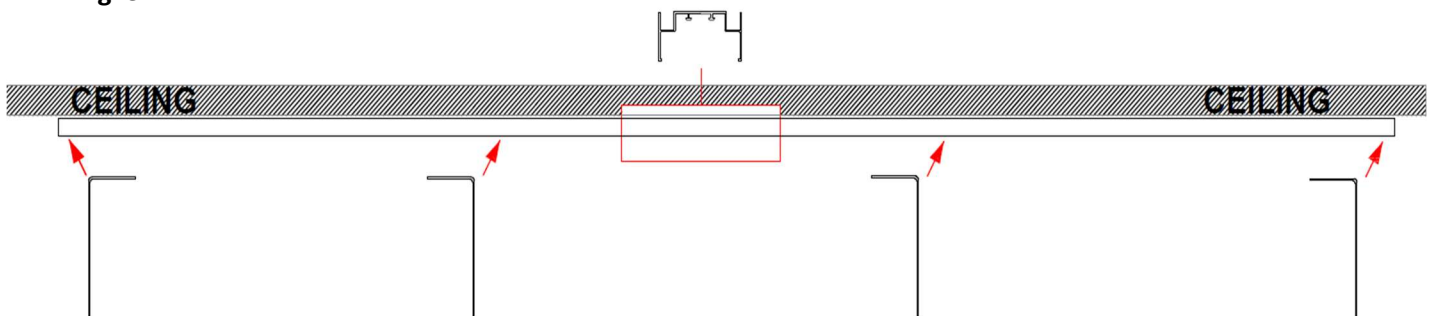


Fig. 3



Nxtwall Installation Instruction

4. Measure for Vertical Flex Studs within the door opening. Fig. 4.
 - a. Door Opening Flex Stud Length: Floor to Ceiling – 3/4"
5. Install door opening Flex Studs.
 - a. The top of the Flex Stud will be inside the Flex Track at the ceiling and run directly to the floor.
 - b. Note: If attaching to existing wall make sure the Flex Stud is plumb. Important for proper door operation.
6. Slide Flex L-Bracket into each Flex Stud. Attach L-Bracket to the Flex Stud using the provided 3/4" Framing Screws.
 - a. Use 2 attaching screws per L-Bracket.

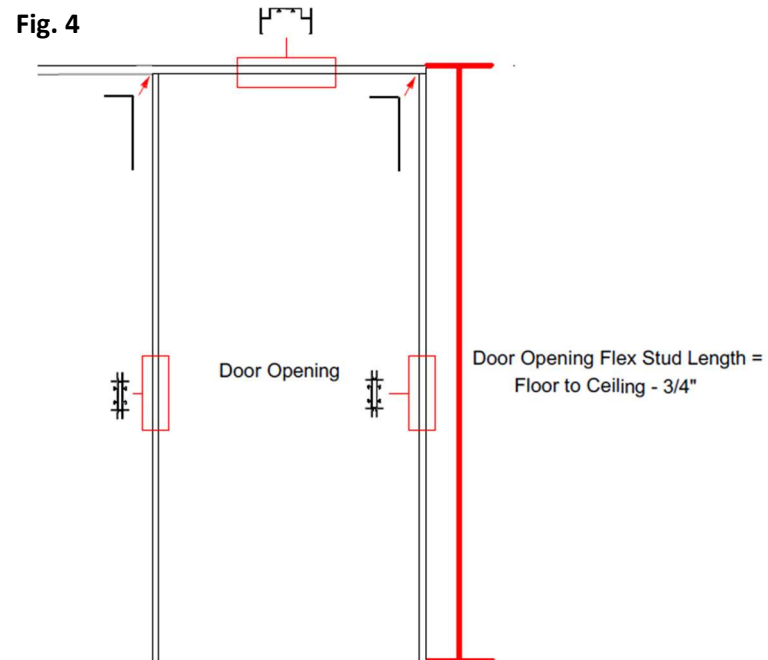


Fig. 5

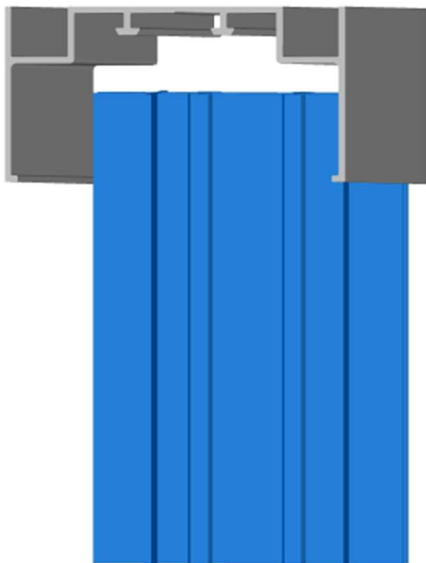
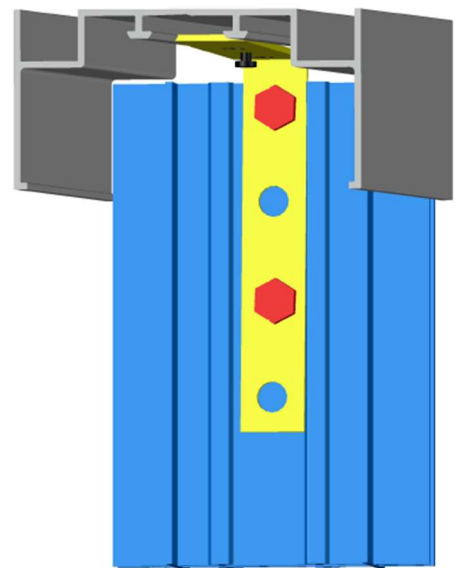
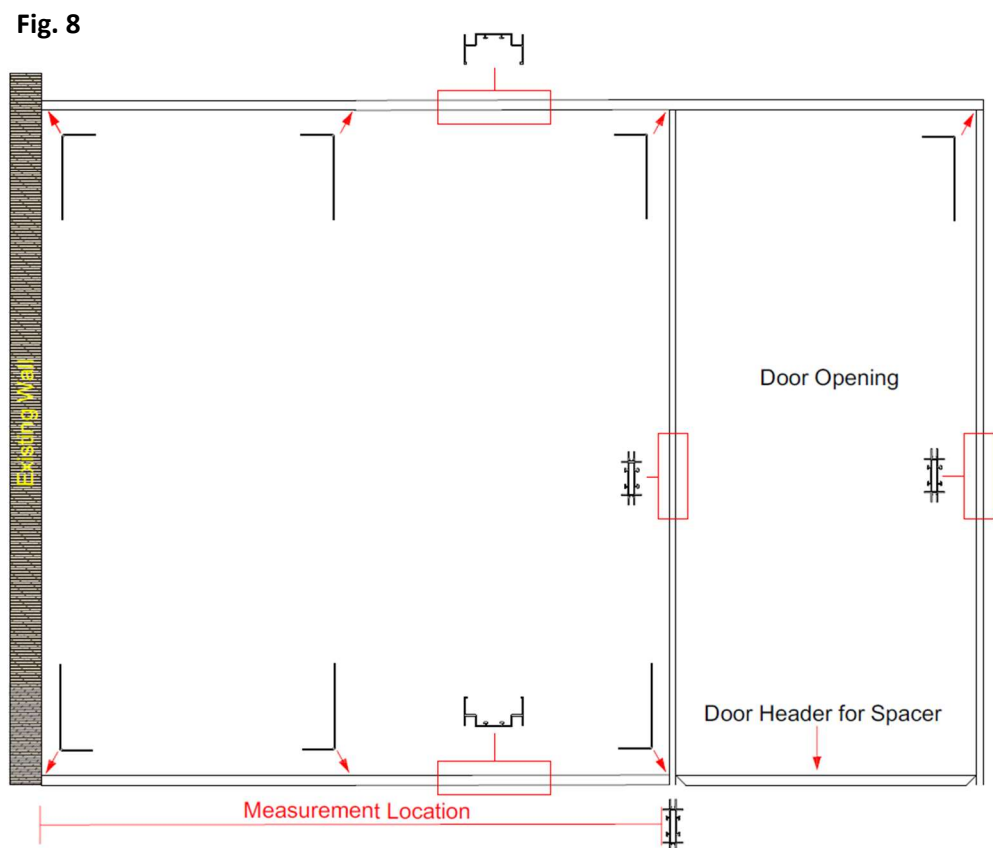
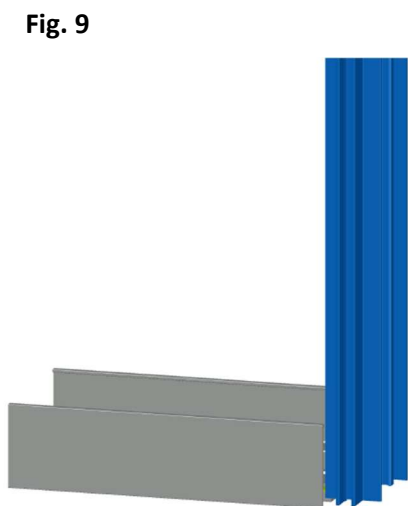
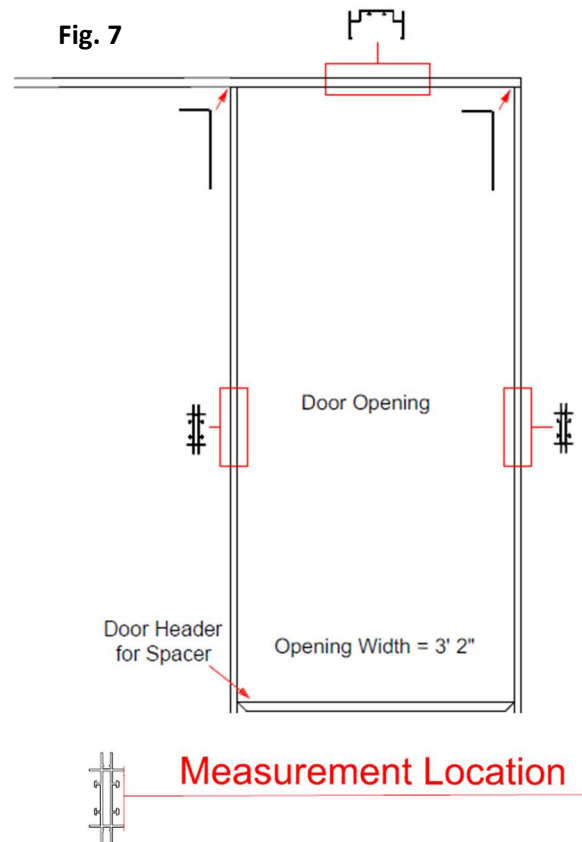


Fig. 6



Nxtwall Installation Instruction

7. Set door opening spacing.
 - a. Door opening measurement 3' 2" (38")
Measuring points shown in Fig. 7.
 - b. Note: The pre-cut door header can be used to properly space the door opening Flex Studs at the floor and the ceiling.
 - c. Once spacing is established tighten set screws within the L-Bracket in the ceiling track to lock the Flex Studs in place.
8. With the door opening set measure and cut Flex Track attaching to the floor.
 - a. Length measurement will be from the door opening Flex Stud to the existing wall/Flex Post.
 - b. **Note:** The Flex Track will butt into the Flex Stud within the door opening.
Fig. 9
 - c. Leave door header in place to ensure proper door opening spacing.



Nxtwall Installation Instruction

9. Slide Flex L-Bracket(s) into the Flex Track. Fig. 10.
 - a. Note: Install one Flex L-Bracket per vertical Flex Stud.
10. Slide Flex L-Bracket into Flex Stud within the door opening. Attach L-Bracket using 2 – 3/4" framing screws. Tighten the set screw.
11. Attach Flex Track to the floor.
 - a. Install attaching screws every 4'- 6'.
 - b. For the L-Bracket attached to the door opening Flex Stud run an anchoring screw through one of the open holes in the L-Bracket. This helps provide strength for the door opening. Fig. 11.

Fig. 10

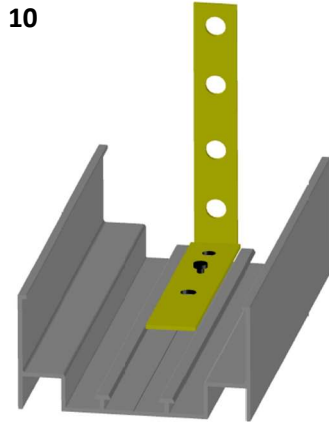
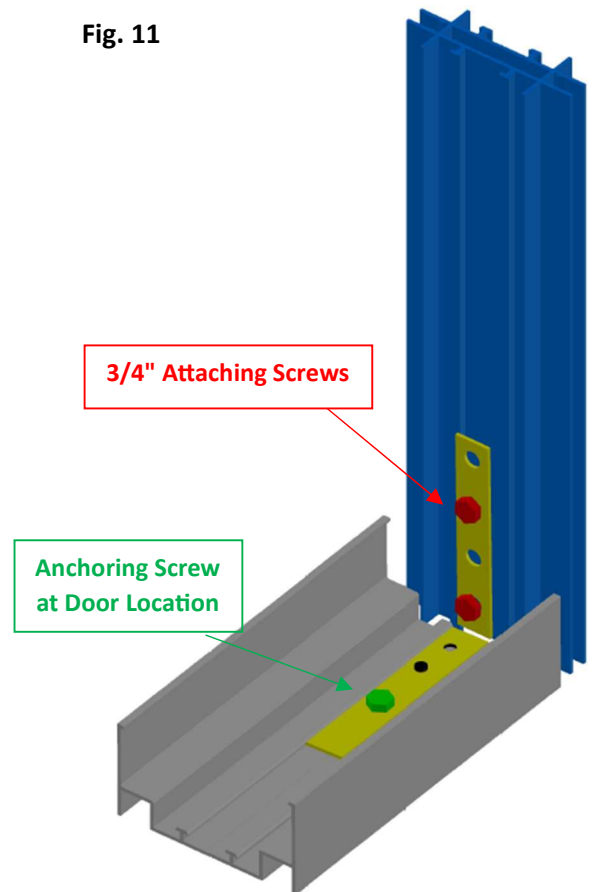


Fig. 11



Nxtwall Installation Instruction

12. Measure for non-door opening Vertical Flex Studs. Fig. 12.

- a. Flex Stud Measurement:
Floor to Ceiling – 1 1/2"

13. Install Flex Studs into the floor and ceiling Flex Track.

- a. Allow air gap between the Flex Stud and Flex Track. This will give the ability to move the Flex Stud when setting the spacing between studs. Fig. 13.
- b. If attaching to existing wall attach Flex Stud to the existing wall.

14. Slide L-Brackets in the floor and ceiling Flex Track into the Flex Studs. Attach using 2 – 3/4" Framing Screws. Fig. 14.

Fig. 12

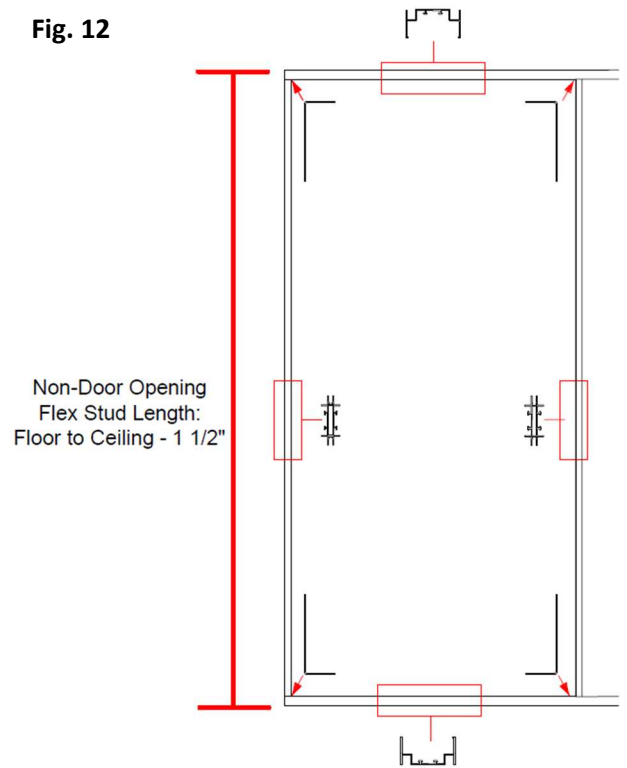


Fig. 13

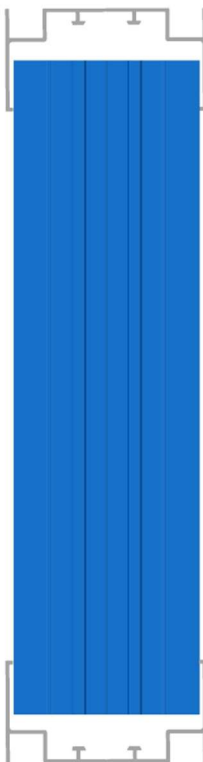
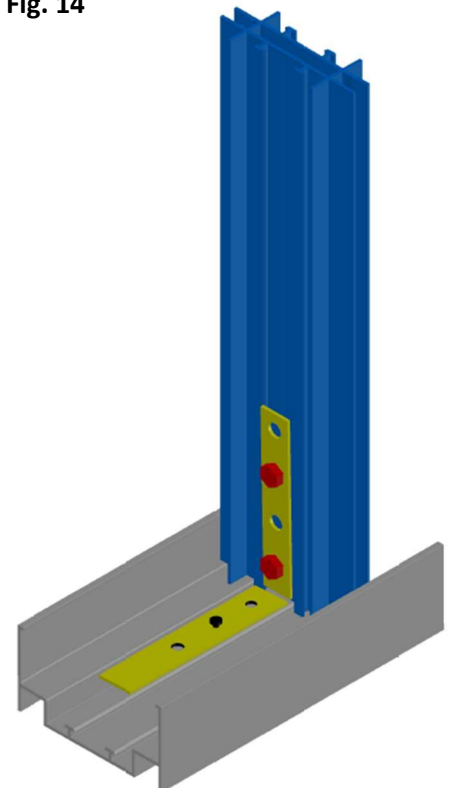


Fig. 14



Nxtwall Installation Instruction

Door Header and Jamb Installation

15. Attach Flex Stud to Door Header using 1 ¼" Framing Screws. Fig. 15A/B
 - a. For Single Doors Flex Stud Length = 37 3/4"
 - b. For Double Doors Flex Stud Length = 73 5/8"
16. Slide 2 – L-Brackets into each end of the Flex Stud. Install the L-Brackets so they are up towards the ceiling. Fig. 15A/B
17. Place Vertical Door Jambs onto the Flex Studs within the door opening. Do not attach. Fig. 16.
 - a. Note: For Non-Full Height Swing Doors the vertical jambs are pre-cut to the correct length. Do not cut the door jambs.

Fig. 15A

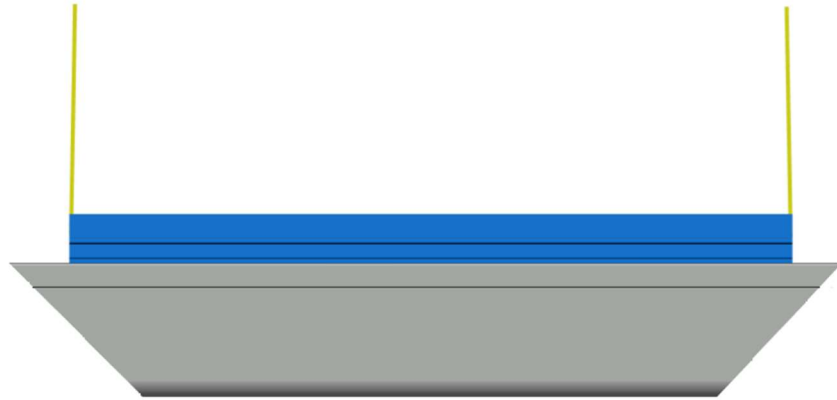


Fig. 15B

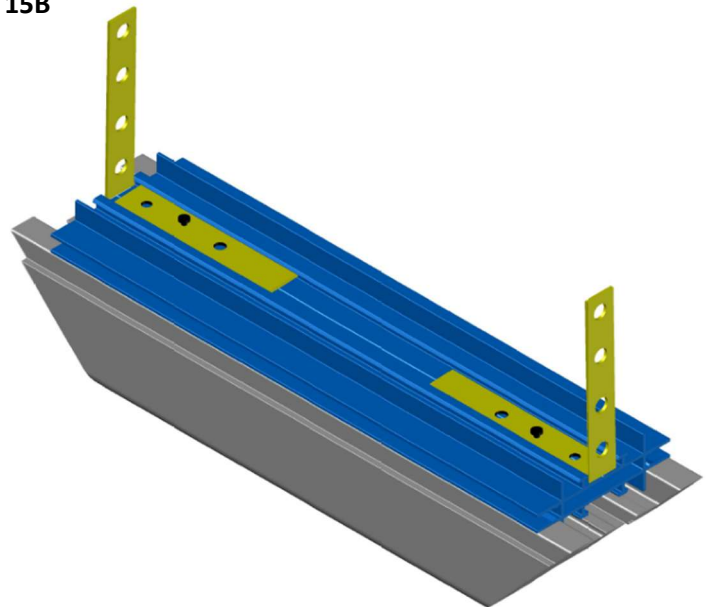
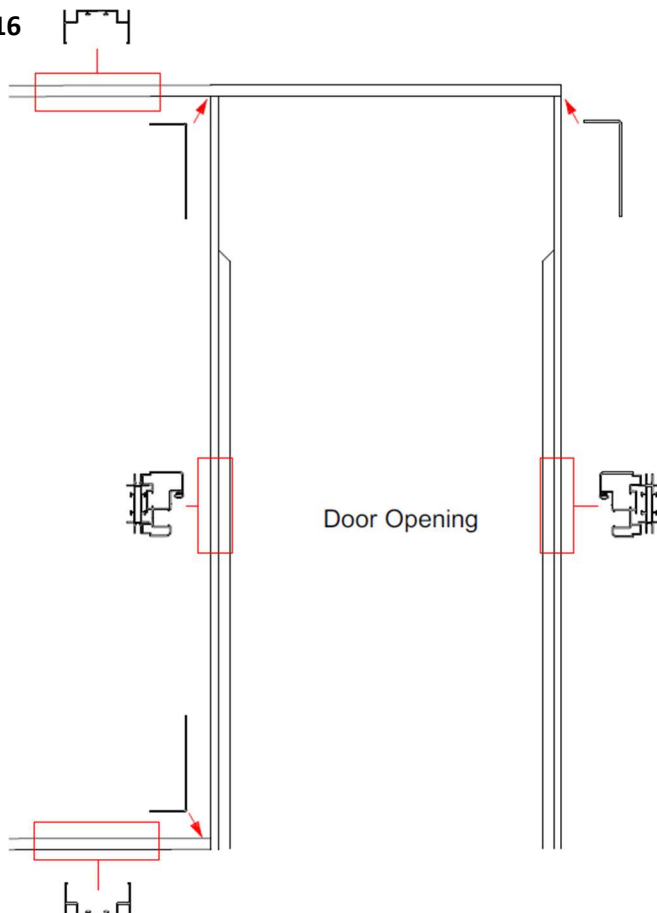


Fig. 16



Nxtwall Installation Instruction

18. Set Door Header on top of the vertical Door Jambs. Fig. 17.
19. If the Door Header is unlevel, level the Door Header and bring the vertical Door Jamb up to the Door Header.
20. Attach L-Brackets in the Horizontal Flex Stud to the Vertical Flex Studs. Tighten the set screws.
21. Attach Vertical Door Jambs to the Flex Studs and attach using 4 – 1 ¼" Framing Screws. Fig. 18.
22. Framing Complete.

What's Next...

Below are possibilities for the next phase(s) of the installation. For more information regarding installation reference the installation guides for each scenario.

- Install Byrne Electrical, Data, and/or Blocking.
- Install solid panels and trim.
- If there is glass on the project install the glazing bead and measure for the glass. Install the glass once it arrives.
- Install doors and door hardware.

Fig. 17

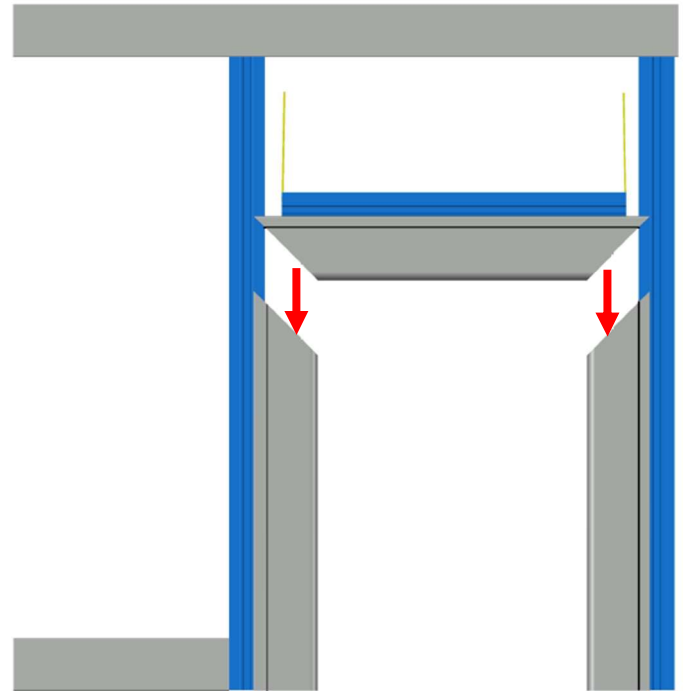


Fig. 18

